

# DURATIQUE®

*Stainless Steel Black Antique Hardware*



## Your Ultimate Antique Hardware - Made from Stainless Steel

DURATIQUE® is Coastal's premium range of antique external door hardware, with the authentic look of malleable iron but far more durable.

DURATIQUE® was developed in response to issues with iron based black antique hardware, delivering a better and more resistant black antique hardware.

- Manufactured from a **base material of 316 Stainless Steel** to prevent corrosion, even in coastal environments or with acidic timber.
- Enhanced **electrostatic polymer coating** - more durable and scratch resistant compared to other antique hardware on the market.
- Successfully **salt spray tested to 1000 hours**, ensuring your hardware lasts and functions without fading for decades, even in harsh conditions.
- Built to use where corrosion levels are high such as by the sea and with acidic timber.
- CNC machined euro profile and fixing locations for reliable installation

The DURATIQUE® brand is owned, manufactured and sold by:



**COASTAL**

*Shaping the future.*







# The benefits of using Stainless Steel instead of Iron for Antique Hardware

Traditional black antique hardware is often made from iron, which rusts when exposed to the elements.

This leads to rust streaks and stains on doors, making them look unsightly and eventually causing the hardware to fail.

Duratique takes a different approach by using stainless steel, a material renowned for its superior corrosion resistance and durability.

Unlike iron, stainless steel offers better protection against corrosion, making DURATIQUE® a better choice for external hardware that stands up to the toughest conditions.



Stainless Steel Base Material

# Why Choose

DURATIQUE® was designed to overcome the problems common with traditional iron-based black antique hardware.

- Manufactured from a base material of 316 Stainless Steel
- Salt Spray Tested to 1000 hours
- CNC machined euro profile and fixing locations
- Designed, Coated and Built in the UK
- 25 Year Mechanical Guarantee
- 15 Year Coating Guarantee




**25 Year**  
Mechanical  
Guarantee



**15 Year**  
Coating  
Guarantee



**1000 Hours**  
Salt Spray  
Tested



We're passionate about delivering door and window hardware that guarantees lasting performance.

To ensure our products meet our high standards and protect your reputation, we control every step – from design to sourcing premium components worldwide and manufacturing.

Our in-house UK-designed and built hardware continues to expand, offering you peace of mind that you're choosing top-quality products from a reliable, stable supply chain.

**DESIGNED & BUILT IN THE UK**

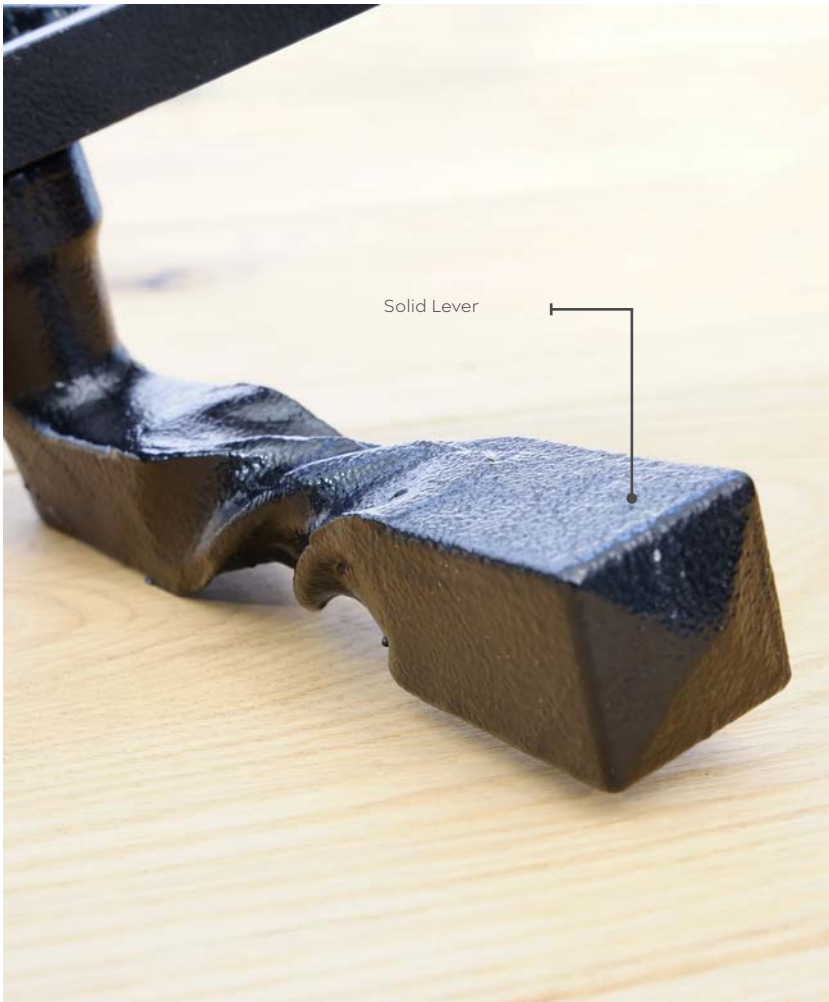




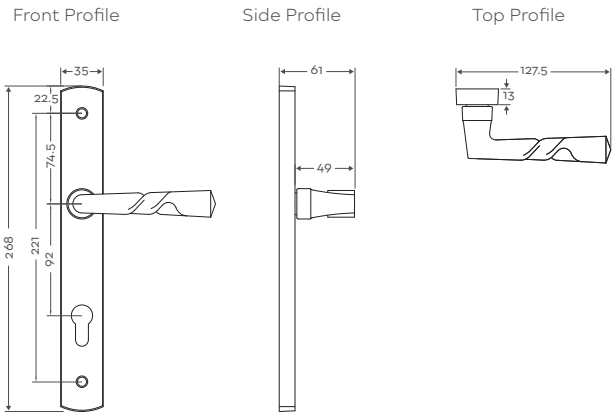
# CO7100C

## BARLEY TWIST

Lever Door Handle



- Manufactured from a base material of 316 Marine Grade Stainless Steel
- Enhanced electrostatic polymer coating - more durable and scratch resistant
- Durability tested to 200,000 cycles (see page 32 for details)
- Salt spray tested to 1000 hours (see page 30 for details)
- Suit door thickness between 44-68mm
- CNC-machined and consistent fixing locations
- 25 Year Mechanical Guarantee
- 15 Year Coating Guarantee.

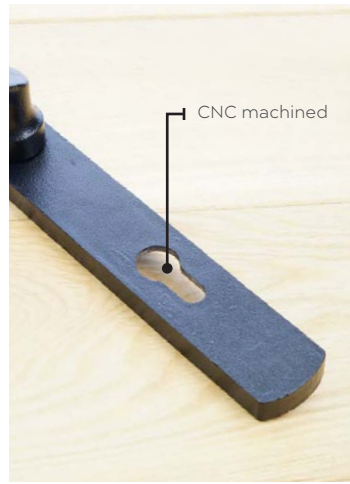




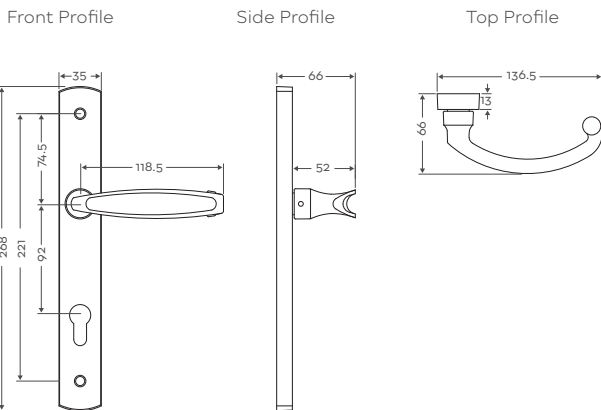
# CO7200C

## BOW DESIGN

Lever Door Handle



- Manufactured from a base material of 316 Marine Grade Stainless Steel
- Enhanced electrostatic polymer coating - more durable and scratch resistant
- Durability tested to 200,000 cycles (see page 32 for details)
- Salt spray tested to 1000 hours (see page 30 for details)
- Suit door thickness between 44-68mm
- CNC-machined and consistent fixing locations
- 25 Year Mechanical Guarantee
- 15 Year Coating Guarantee.

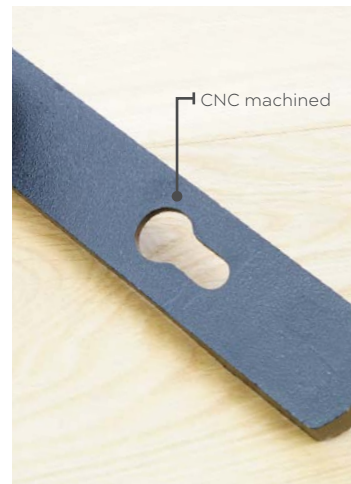




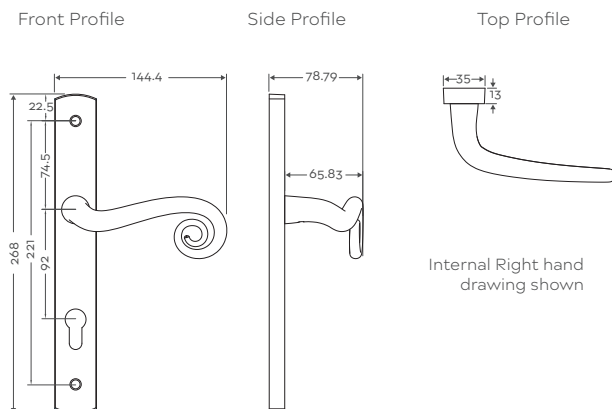
# CO7300C

## CURLY TAIL

Lever Door Handle



- Manufactured from a base material of 316 Marine Grade Stainless Steel
- Enhanced electrostatic polymer coating - more durable and scratch resistant
- Durability tested to 200,000 cycles (see page 32 for details)
- Salt spray tested to 1000 hours (see page 30 for details)
- Suit door thickness between 44-68mm
- CNC-machined and consistent fixing locations
- 25 Year Mechanical Guarantee
- 15 Year Coating Guarantee.





# DKB225

## RING

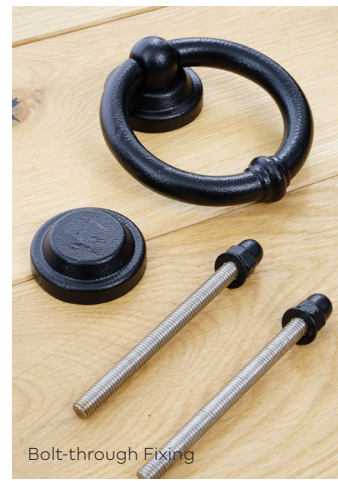
Door Knocker





Solid Ring Knocker

Striker Plate



Bolt-through Fixing

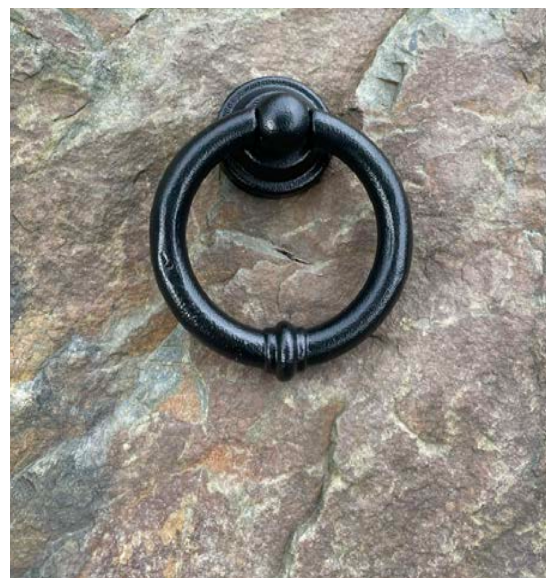
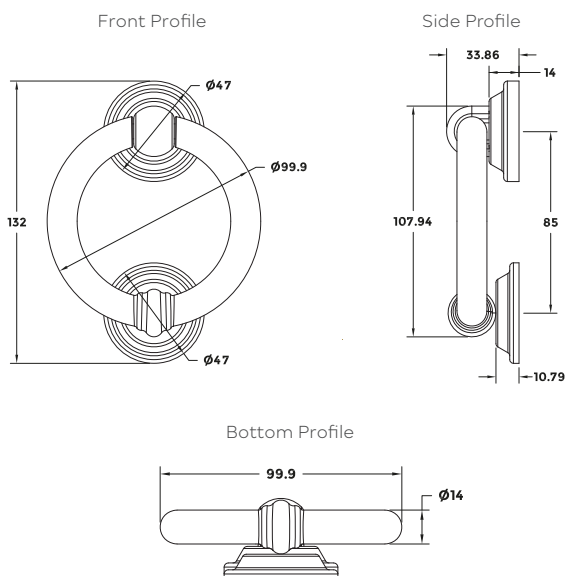


Secret Fixing

- Manufactured from a base material of 316 Marine Grade Stainless Steel
- Enhanced electrostatic polymer coating - more durable and scratch resistant
- High quality traditional ring door knocker and striker plate
- Bolt-through and secret fixings
- Salt spray tested to 1000 hours (see page 30 for details)
- 25 Year Mechanical Guarantee
- 15 Year Coating Guarantee



**DKB225**  
Textured Matt Black





**KM388**  
**ROUND**  
Centre Door Knob

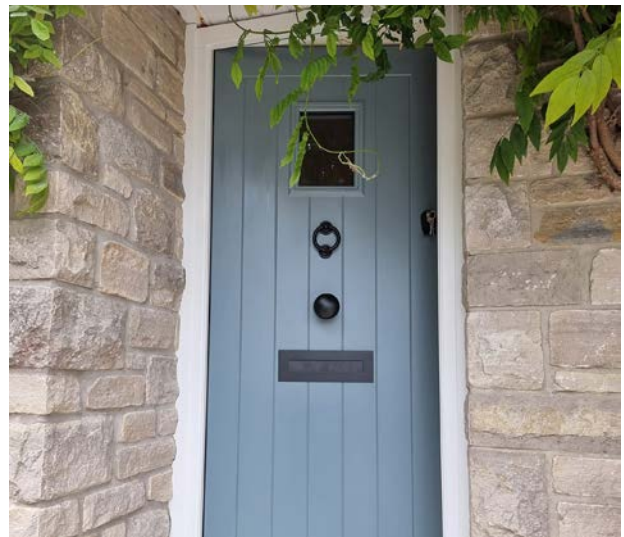
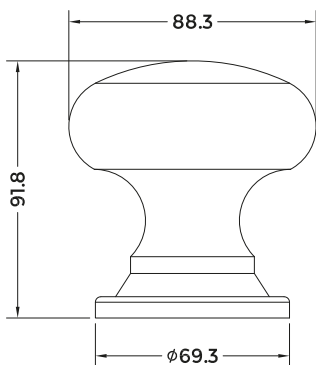


- Manufactured from 316 Marine Grade Stainless Steel
- Enhanced electrostatic polymer coating - more durable and scratch resistant
- Classic fixed round centre door knob mounted on round rose
- Salt spray tested to 1000 hours (see page 30 for details)
- 15 Year Coating Guarantee
- 2 x KM388 can be fixed back-to-back.



**KM388**

Textured Matt Black



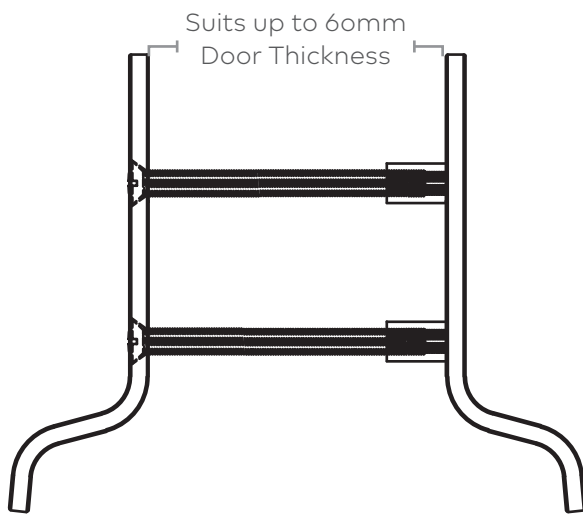


# CP30 CLASSIC

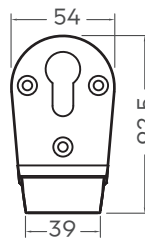
Cylinder Pull



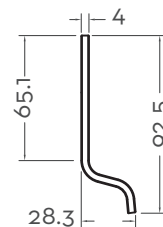
- Traditional style euro cylinder pull set
- Manufactured from a base material of 316 Marine Grade Stainless Steel
- Enhanced electrostatic polymer coating - more durable and scratch resistant
- Bolt-through fixing
- Salt spray tested to 1000 hours (see page 30 for details)
- 15 Year Coating Guarantee
- Suits door thickness up to 60mm.



Front Profile

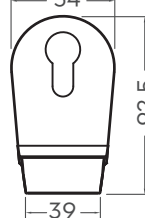


Side Profile

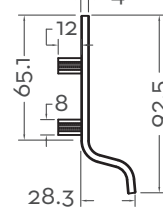


Internal Cylinder Pull

Front Profile



Side Profile



External Cylinder Pull

**CP30-EXT-KIT**

Allows the cylinder pulls to be used on door thicknesses up to 70mm.

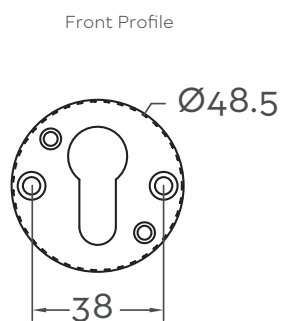




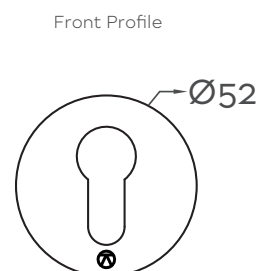
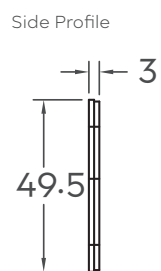
**SE35**  
**SLIMLINE**  
Round Escutcheon



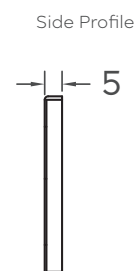
- 52mm Diameter slimline round escutcheon for euro profile cylinders
- Fixings concealed behind clip-on cover
- Manufactured from 316 Marine Grade Stainless Steel
- Enhanced electrostatic polymer coating - more durable and scratch resistant
- Salt spray tested to 1000 hours (see page 30 for details)
- 15 Year Coating Guarantee.



Fixing Plate



Cover



DESIGNED & BUILT IN THE UK



# LP400 SLEEVED Letter Plate



Sprung flap



Internal side



External side

- Achieved 'Best in Class' BS6375-1 Weather Test results against air, wind and water
  - **Air Permeability:**  
BS EN 12207:2000, 600 Pa, Class 4
  - **Water Tightness:**  
BS EN 12208:2000, 6000 Pa, Class A9
  - **Wind Resistance:**  
BS EN 12210:2001, 3000 Pa, Class A5
- Salt spray tested to 1000 hours - BS EN 60068-2-11:1999
- Successfully used in a PAS24 Security Test
- Suits door thickness up to 68mm.



LP400

Textured Matt Black

For doors between 68 - 88mm thick, additional components needed, sold separately

- sleeve extender (CX-LP400-SE)
- threaded bar (FX-391-55-USS)
- connector sleeve (FX-392-USS)



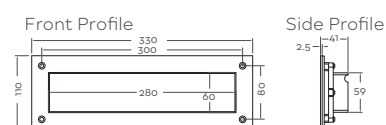
CX-LP400-SE



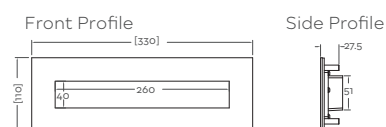
FX-391-55-USS



FX-392-USS



Internal Component



External Component

## You might also be interested in...

Our new Curly Tail and Bulb End Antique Window Espag Handles. Not part of our DURATIQUÉ® range but available in the same Textured Matt Black finish. Features include:

- » Push button to open, with key to deadlock for added security
- » Tested to PAS24 for enhanced security
- » Tested to 50,000 cycles for durability
- » Salt spray tested to 480 hours for corrosion resistance
- » 10 year mechanical and surface finish guarantee.

For more information contact us on [sales@coastal-group.com](mailto:sales@coastal-group.com) or call 01726 871 025.

### CO8473

Bulb End Espagnolette Handle



### CO8477

Curly Tail Espagnolette Handle





# Hardware Product Care and Maintenance

To help you care for the DURATIQUE® hardware range please follow the guidelines below.

**During installation and while building work is being carried out the hardware should be covered to protect it from dust, dirt and scratching.**

## Immediately after fitting and installation

- » Product should be cleaned using a soft cloth and mild soapy water then dried immediately with a clean, soft cloth.

## Monthly Care and Maintenance

- » Clean regularly with a soft, dry cloth or duster.
- » Product should be washed monthly using a soft cloth and mild soapy water then dried immediately with a clean, soft cloth - especially if fitted on or near the coast.
- » Fingerprints can be removed by washing product as above.
- » The above procedure should be followed with an application of good quality, non-abrasive car wax polish, gently applied, to protect the finish.

## Six Monthly Care and Maintenance

- » Lubricate any moving parts with a suitable PTFE Grease such as GLS200 available from [www.coastal-group.com](http://www.coastal-group.com).

## Please Note

- » DO NOT use oily rags or greasy cloths when wiping the product surface.
- » DO NOT use bleach, abrasive cleaners, caustic or acid based cleaning materials, or detergents containing chloride, or any other strong household cleaning products.
- » DO NOT use abrasive materials, files or other hard objects against the product surface.
- » This product should be protected from dust and dirt during any construction work.

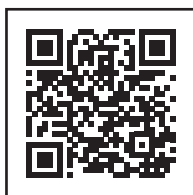




## Marketing Resources

Ask about our marketing resources available including Showroom Display Boards, Posters, Display Cases and high quality product images for your brochures and website.

Contact us on [sales@coastal-group.com](mailto:sales@coastal-group.com) or 01726 871 025 to discuss your requirements.  
Or visit our website to download CAD files, data cards and product images.

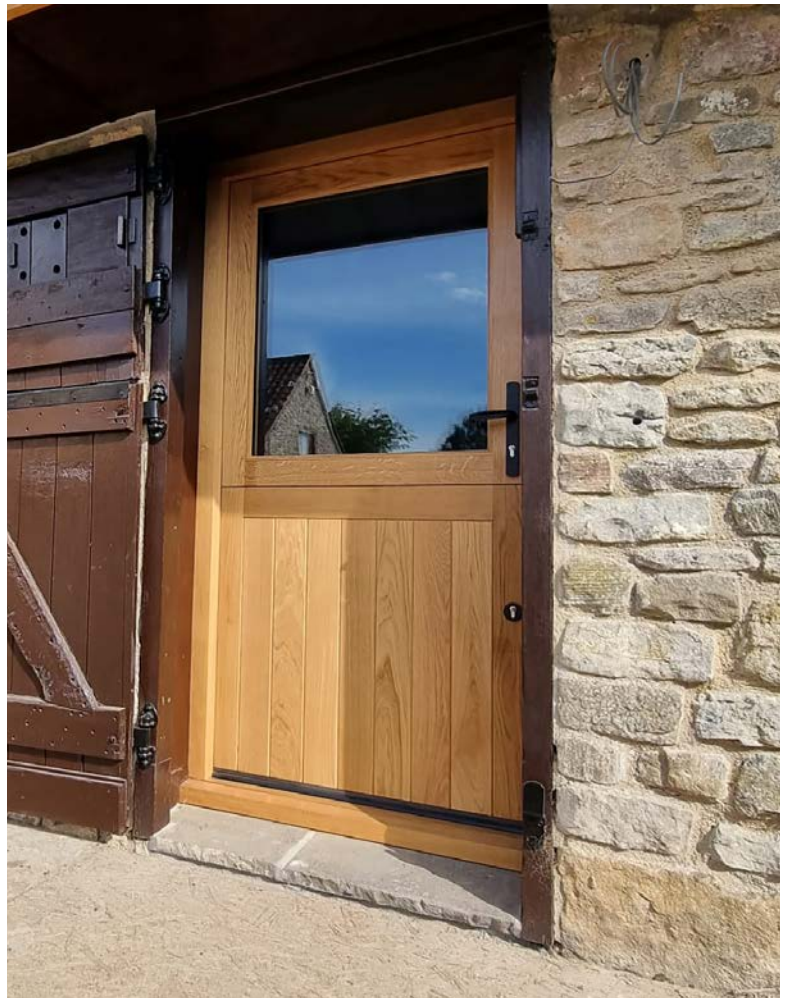




**Inspiration  
Gallery**

Sharing some of our  
customers' exceptional  
craftsmanship with featured  
installations of DURATIQUE®  
hardware





# SALT SPRAY TEST

Tests carried in order to determine the corrosion resistance of **Textured Matt Black Finish**.

Tests performed in order unless otherwise specified:		Using the parameters and methodology of:
Salt Mist Test	UKAS	BS EN 60068-2-11:1999 Test Ka. 1000 hour test duration
Date of issue		27/02/2024

## Test Procedure

### Salt Mist

Using the parameters and methodology of

#### BS EN 60068-2-11:1999 Test Ka

- **Salt Mist Conditions:**

- » Chamber Temperature: +35 °C
- » NaCl Solution: 5 %
- » Fallout Volume: 1 to 2 ml/hr
- » Fallout pH: 6.5 to 7.2
- » Duration: 1000 hours
- » EUT orientated at 45°

- » Visual inspection conducted at 25%, 50%, 75% & 100% of the duration

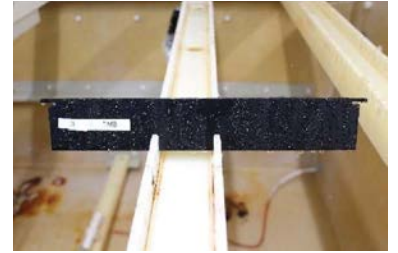
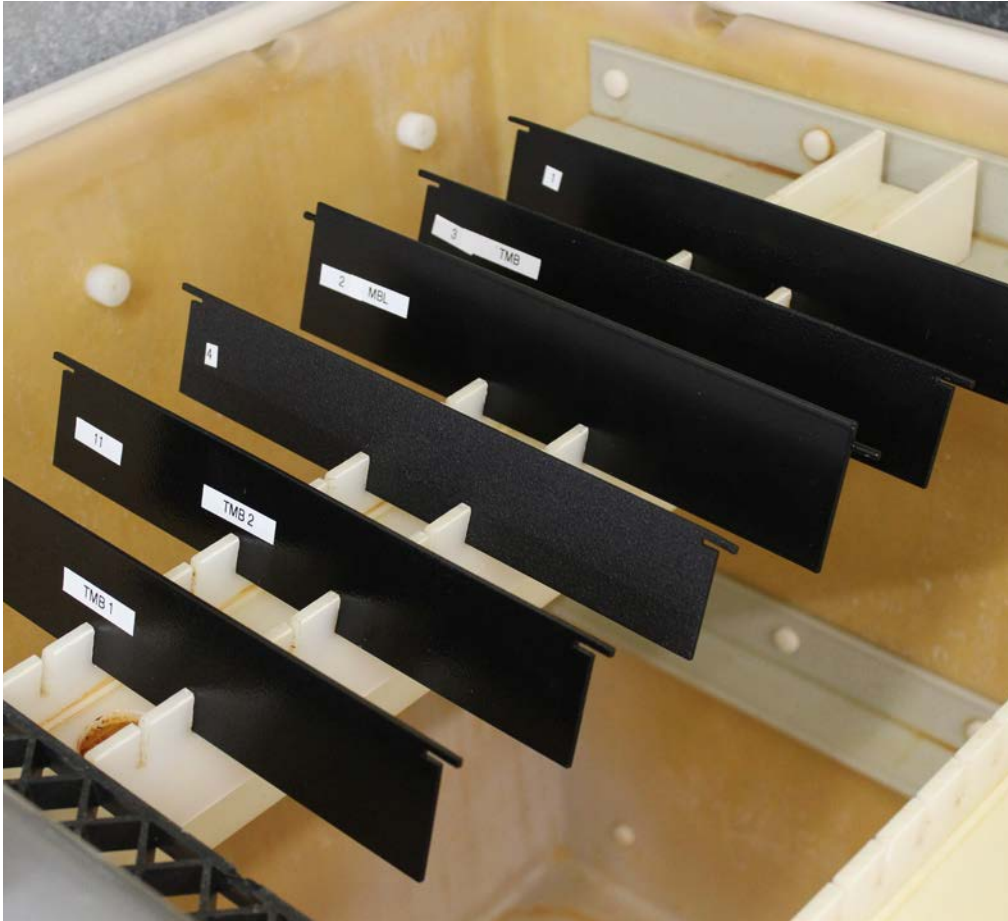
- **Post Test Recovery Conditions:**

- » EUT washed in running tap water for 5 minutes, rinsed in de-mineralised water and then placed into the recovery conditions:
  - » 23 °C
  - » 75 %rh
  - » Duration: 1 to 2 hours

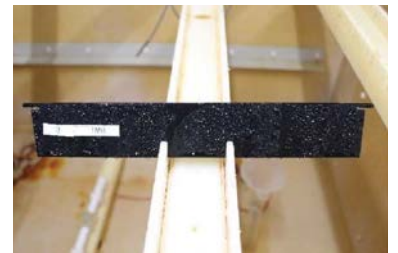
### Test Equipment

Test Equipment	PARC ID	Calibration Due Date
Salt Mist Chamber	1138	Monitored by calibrated equipment
PRT	1138.1	10/01/2025
Scales	99	14/11/2024
Left Collection Vessel	MD17	Indication only
Right Collection Vessel	MD18	Indication only
Conductivity Meter (Conductivity)	975	Before Use IAW CP05
Conductivity Meter (Temperature)	975	22/11/2024
pH Meter (pH)	1027	Before Use IAW CP06
pH Meter (Temperature)	1027	22/11/2024
Room Logger	519	03/02/2024
Hydrometer	1026	14/10/2026
Thermocouple	1170	05/06/2024
Squirrel logger	489	18/10/2024
Votsch VC4100 Climatic Chamber	227	26/05/2024
Chemical	Lot No	
pH Reference Solution (4)	4C23C1	
pH Reference Solution (7)	7C23C1	
pH Reference Solution (10)	11C23C1	
Conductivity Reference Solution	CS1023G6	
Conductivity Reference Solution	CS1023J3	

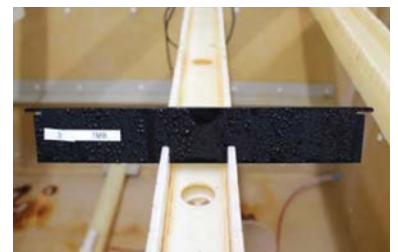
Photos taken during visual inspection conducted at 25%, 50%, 75% & 100% of the duration of the test.



25% Duration



55% Duration



75% Duration



Post-test Photo

Photo shown is comparison of the new coated and salt spray tested product with Textured Matt Black Finish.

Salt spray tested - Barely any signs of degradation after 1000 hours of salt spray test

Newly coated product



# DURABILITY TEST

Tests carried in order to determine the durability of the **DURATIQUE lever door handle** with respect to operating forces and resistance to repeated operation.

## Test Summary

Test Method & Classification Standard	Description	Classification
BS EN 12046-2:2003 BS EN 12217:2003	Operating forces	1
BS EN 1191:2012	Repeated opening and closing	Class 6
Date of issue		21/05/2019

## Test Rig

The test sample was mounted in to a 100 x 75 mm timber sub-frame in accordance with manufacturer's installation requirements and was secured into the test rig ready for testing.

## Cyclic Test

The sample was subject to repeated opening and closing as outlined in Annex H of BS EN 1191:2012.

Throughout the test, the operating hardware was subject to the required number of cycles as was the sash/sashes.

The test was configured for the correct amount of cycles according to the required classification as outlined in BS EN 12400:2002.

At every period equal 2500 cycles or 25% of the specified total test cycles, whichever is the greater, the test was halted and the test specimen was examined and the operating forces were measured and if necessary, lubrication and adjustment was carried out in accordance with the manufacturer's maintenance instructions. The test was continued in the defined conditions for the next period.

The test was continued until the defined number of cycles was completed.

## Cycle Test

The number of cycles completed by the sample was **200,000** on the Handle only as requested by the customer and as required by Class 6 of the standard.

The sample was lubricated as specified by the manufacturer at each period equal to 50,000 cycles or 25% whichever the greater.





## The People Behind the Brand

Our team of hardware specialists are here to help and provide you with the best solution for your project.

*As a customer said "Coastal actually care, they know what they're talking about and can give you advice".*



**COASTAL**

*Shaping the future.*

# We're here to help you:

## SALES AND SUPPORT

For placing orders, requesting a quote, website login, credit account or any technical queries - [sales@coastal-group.com](mailto:sales@coastal-group.com) or 01726 871 025.

## BUSINESS DEVELOPMENT

To request a product demo, discuss a new product or arrange a visit to our Brand Centre - [sales@coastal-group.com](mailto:sales@coastal-group.com) or 01726 871 025.

## FINANCE

For accounts queries - [accounts@coastal-group.com](mailto:accounts@coastal-group.com) or 01726 871 732.

## MARKETING

We offer support to get the most out of our products, services and solutions, including bespoke brochures, eye-catching posters featuring our hardware, and high-quality product images and dual branding of content and digital platforms.

If you'd like support with your Marketing, contact our Business Development - [sales@coastal-group.com](mailto:sales@coastal-group.com) or 01726 871 025.

## Visit our Brand Centre

Looking for inspiration to develop new door or window ranges? Like to see and feel the quality of our product? Or have a bespoke project you'd like to discuss?

Visit us in our Brand Centre where we have a whole range of door and window hardware and production models on display for you to try for yourself.



*Shaping the future.*



COASTAL

COASTAL GROUP

Head Office: Global House, Bojea Industrial Estate, St Austell, Cornwall, PL25 5RJ, UK

T 01726 871 025 E [sales@coastal-group.com](mailto:sales@coastal-group.com) W [coastal-group.com](http://coastal-group.com)

Follow us on:



© Coastal Specialist Ironmongery Ltd 2024

LIT-BRO-DO7